

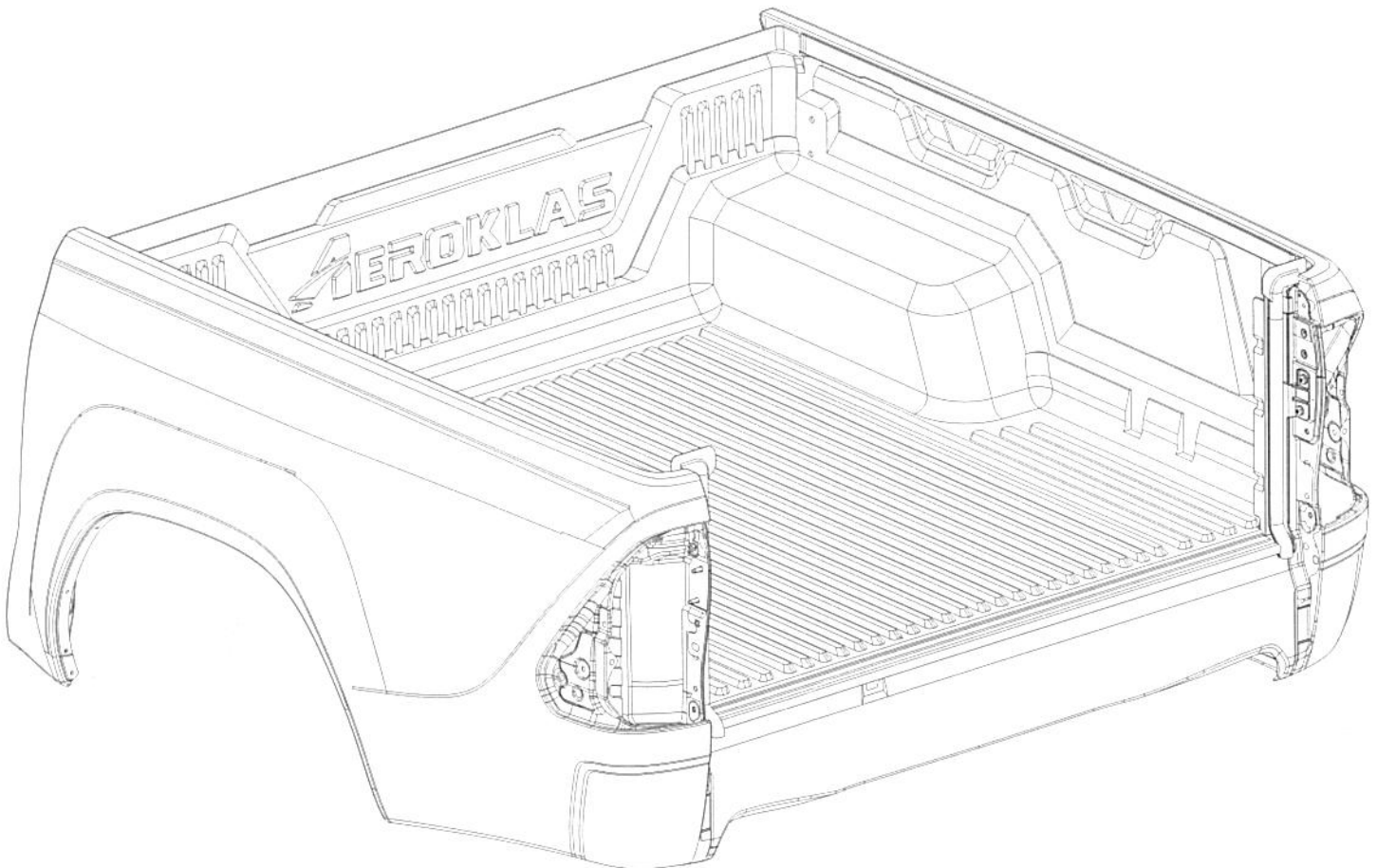
# AEROKLAS - DUST SEAL

## 102110000907 INSTALLATION MANUAL AEROKLAS DUST SEAL FOR TOYOTA REVO

Fit Time: 45 mins

### BETTER PREVENTION

1. Part for the Tailgate for beter protection against dust and water.
2. Suitable for use with vehicles equipped with roof covers.
3. Easy to install without drilling holes.
4. Passed the standard waterproof and dustproof test.



#### Aeroklas Factory (Rayong)

111/1, 111/10 Moo 2,  
Tambol Makhmku,  
Amphur Nikompatana,  
Rayong 21180 Thailand.

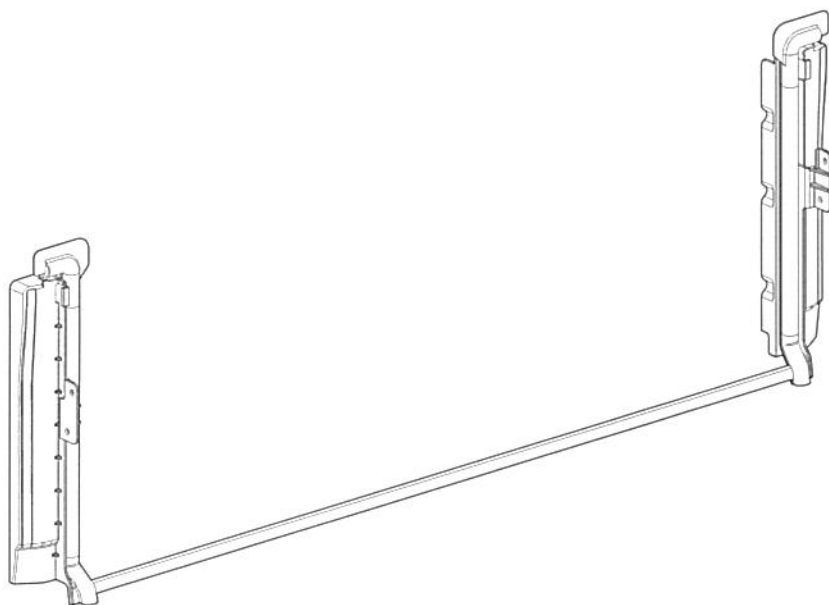
#### Aeroklas Office (Bangna)

62 Soi Bangna-Trad 25,  
Bangna-Trad Rd., Bangna,  
Bangkok 10260 Thailand.  
Tel: +66-2744-3020

**AEROKLAS.COM**  
ITEM NO. 102110000907

Parts List

PARTS LIST



ISOMETRIC VIEW

INSTALLATION TOOLS



Reversible ratchet



SOCKET  
10,12mm.



STEEL RULER



TAPE MEASURE



CUTTER



CUTTING TOOL



SCREWDRIVER

COMPONENT PART

RHS COVER  
**A** x1 (102000001014)

LHS COVER  
**B** x1 (102000001015)

RHS RUBBER SEAL TOP  
**C** x1 (102110000908)

LHS RUBBER SEAL TOP  
**D** x1 (102110000908)

VERTICAL SEAL  
**E** x2 (102110000908)

TAILGATE SEAL  
**F** x1 (102110000908)

SCREW M8x30  
**G** x4 (102050000070)

SCREW M6x20  
**H** x2 (102060000054)

WASHER M8 OD18  
**I** x2 (102040000010)

WASHER M6x1.2 OD20  
**J** x2 (102040000040)

LOCK NUT M8  
**K** x2 (103140001463)

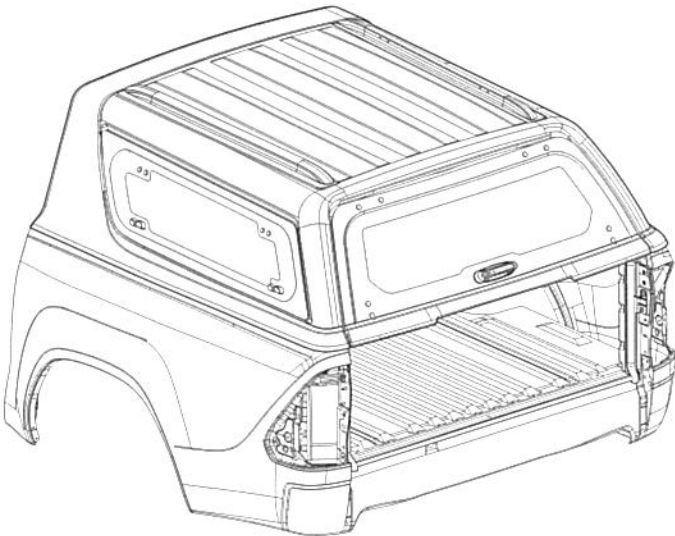
WASHER M8 T=3  
**L** x4 (103040000048)

INSTALLATION MANUAL  
**M** x1 (102110000907)

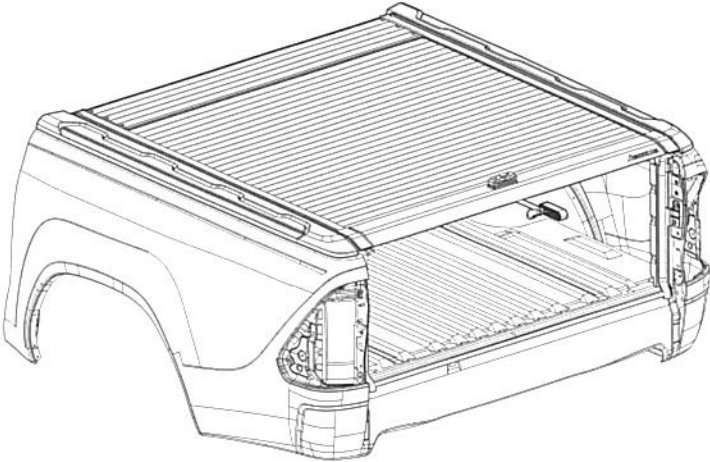
PRIMER  
**N** x2 (102000000326)

TEMPLATE  
**O** x1 (102110000909)

**PRODUCT**

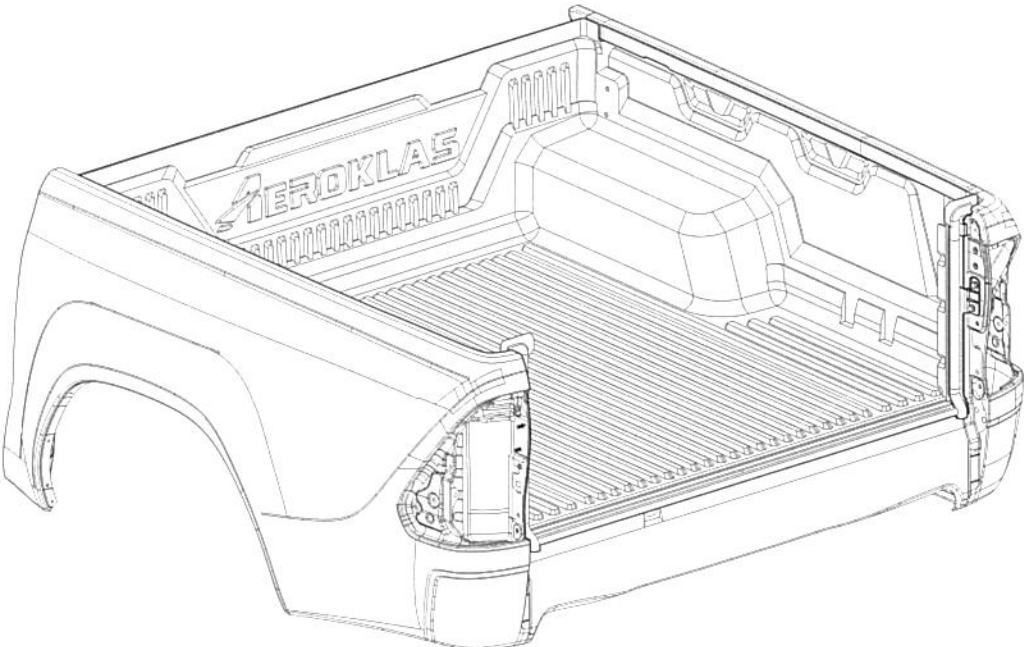


TRUCK BOX WITH AEROKLAS CANOPY



TRUCK BOX WITH AEROKLAS ROLLER LID & ROLLER LID ROCCO

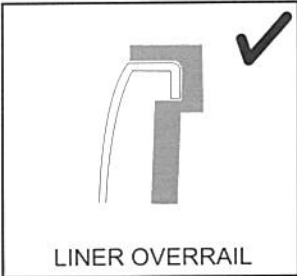
**TRUCK BOX WITH AEROKLAS LINER**



TRUCK BOX WITH AEROKLAS BED LINER UNDER RAIL



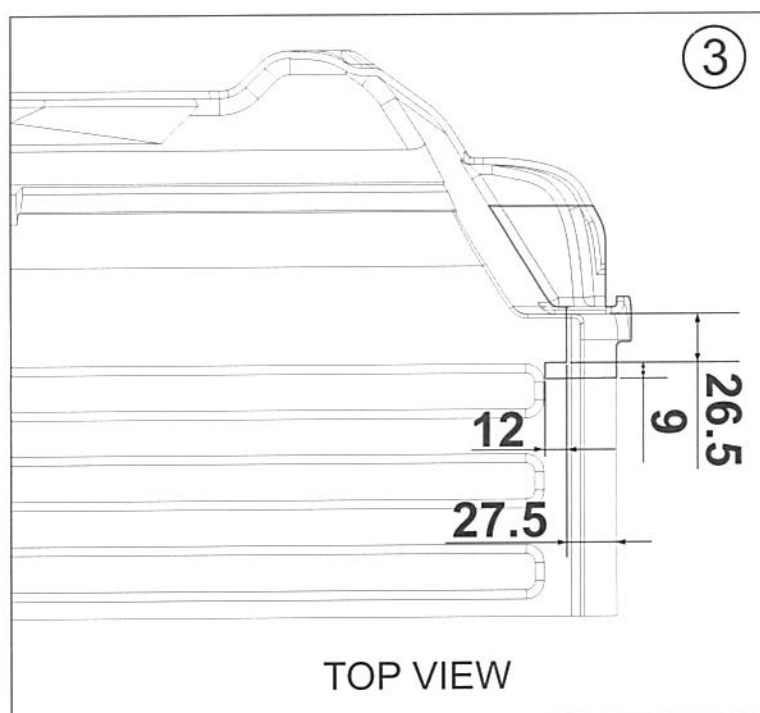
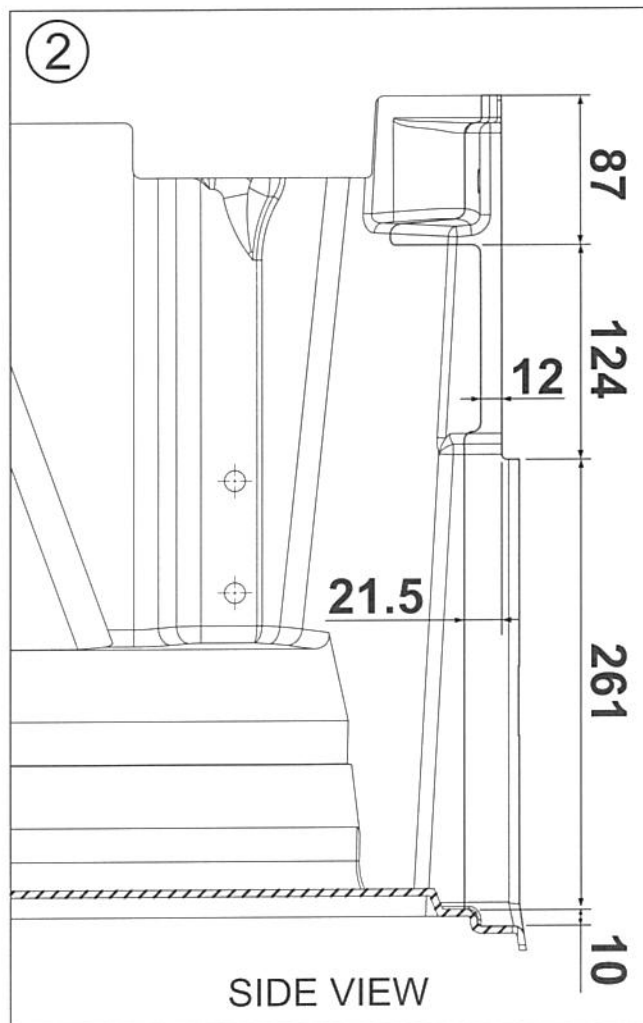
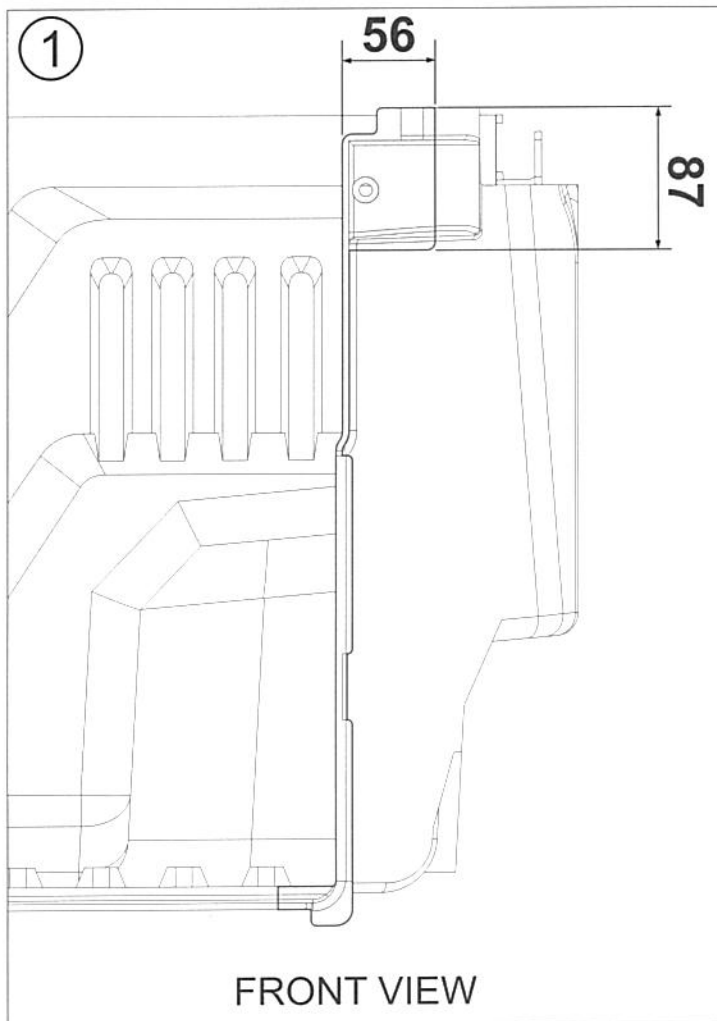
LINER UNDER RAIL



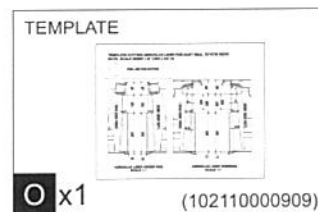
LINER OVERRAIL

**DIMENSIONS FOR CUTTING LINER**

**AEROKLAS LINER UNDER RAIL TOYOTA REVO**

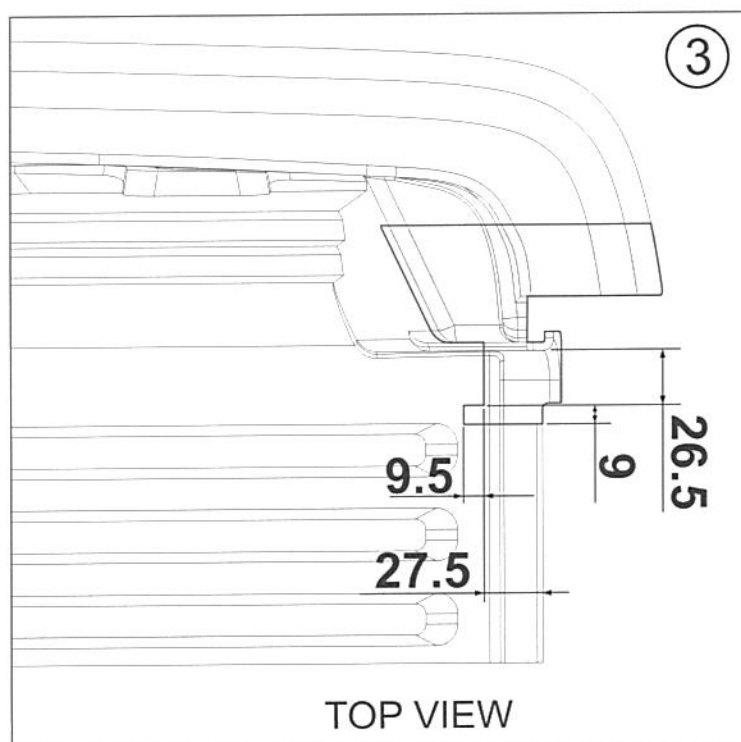
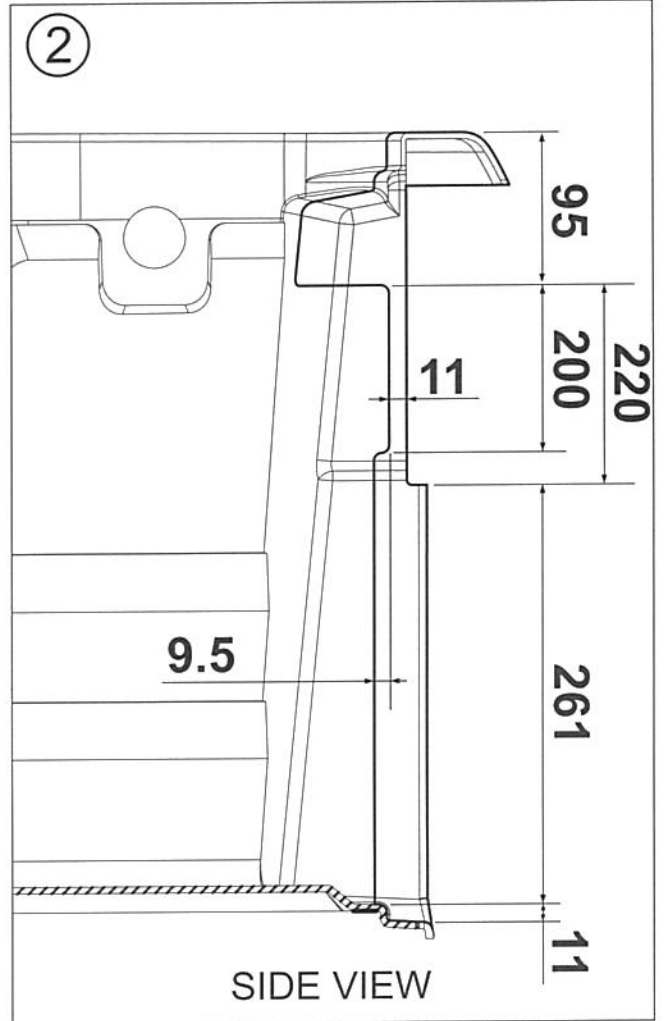
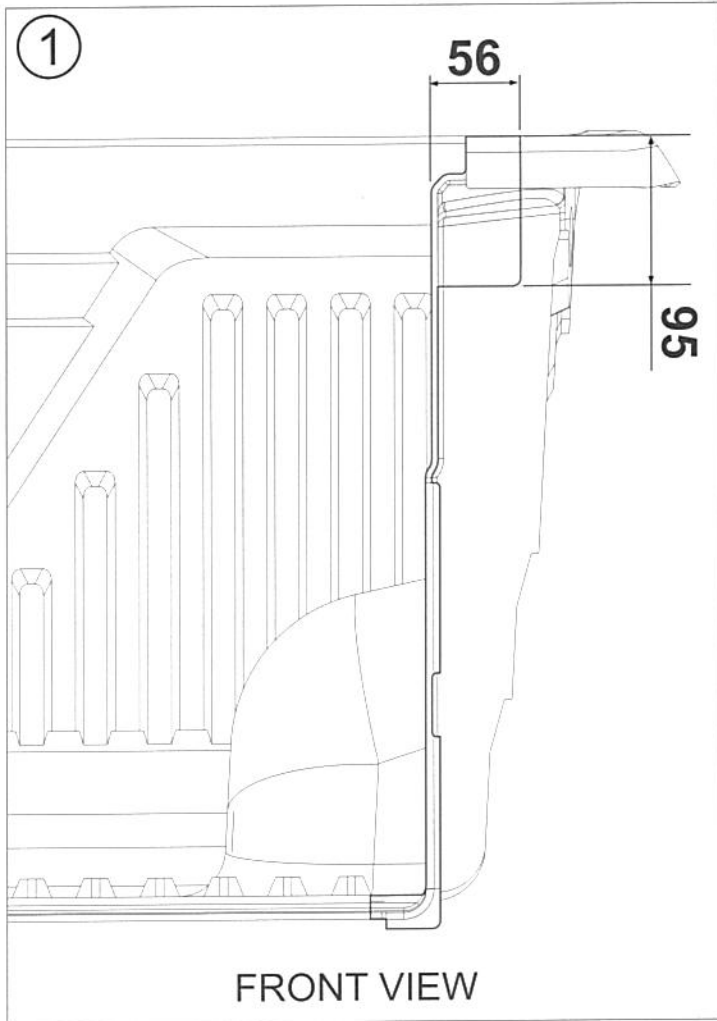


For vehicles with plastic bed liner use the Template.  
 For vehicles with spray on liner and no liner proceed to step 3 (Page 6).

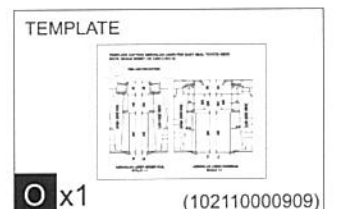
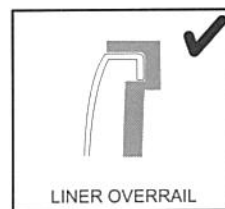


**DIMENSIONS FOR CUTTING LINER**

**AEROKLAS LINER OVERRAIL TOYOTA REVO**



For vehicles with plastic bed liner use the Template.  
 For vehicles with spray on liner and no liner proceed to step 3 (Page 6).



FITTING DUST SEAL

**1**

**AFTER CUTTING**  
BACK VIEW

CUTTING TOOL

CUTTING DIMENSIONS, ACCORDING TO PAGE 4 AND 5.

**2**

**AFTER CUTTING INSTALLED ON TRUCK**  
BACK VIEW

CUTTING DIMENSIONS, ACCORDING TO PAGE 4 AND 5.

**3**

Remove the screws

HAND TOOLS

- Reversible ratchet
- 10 mm.Socket

**4**

COVER DUST SEAL USE FOR AEROKLAS CANOPY

COVER DUST SEAL USE FOR AEROKLAS ROLLER LID

**4.1 COVER DUST SEAL USE FOR AEROKLAS ROLLER LID**

**38 mm.** **15 mm.**

**CUTTING THIS AREA**

CUTTING UPPER PART COVER DUST SEAL USE FOR AEROKLAS ROLLER LID

AFTER CUT

**NOTE:**  
 1. THIS STEP FOR USING DUST SEAL WITH ROLLER LID  
 2. IF YOU USING DUST SEAL WITH CANOPY, YOU CAN SKIP TO NEXT STEP (5).

**4.2 COVER DUST SEAL USE FOR AEROKLAS ROLLER LID ROCCO**

**32 mm.** **13 mm.**

**CUTTING THIS AREA**

CUTTING UPPER PART COVER DUST SEAL USE FOR AEROKLAS ROLLER LID ROCCO

**NOTE:**  
 1. THIS STEP FOR USING DUST SEAL WITH ROLLER LID ROCCO  
 2. IF YOU USING DUST SEAL WITH CANOPY, YOU CAN SKIP TO NEXT STEP (5).

**5**

**LHS COVER**  
**B x1**

**RHS COVER**  
**A x1**

**ASSEMBLE THE COVER ONTO TRUCK BOX**

**6**

WASHER M6 T-13 **L x4**

WASHER M6 D018 **I x2**

LOCK NUT M6 **K x2**

SCREW M6x20 **H x2**

SCREW M6x10 **G x4**

WASHER M6x1.2 D020 **J x2**

**7**

SCREW M6x20 **H x2**

SCREW M6x10 **G x4**

WASHER M6 D018 **I x2**

WASHER M6 T-13 **L x2**

LOCK NUT M6 **K x2**

WASHER M6x1.2 D020 **J x2**

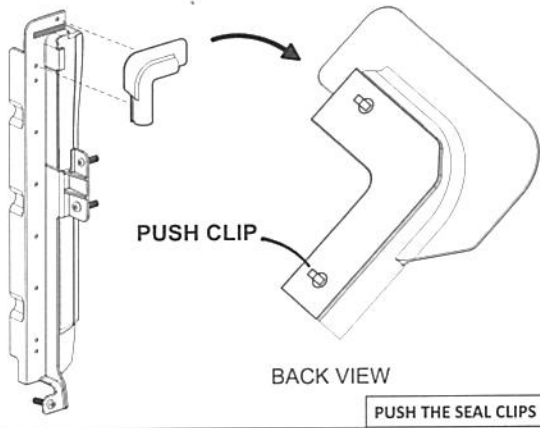
**HAND TOOLS**

SCREWDRIVER

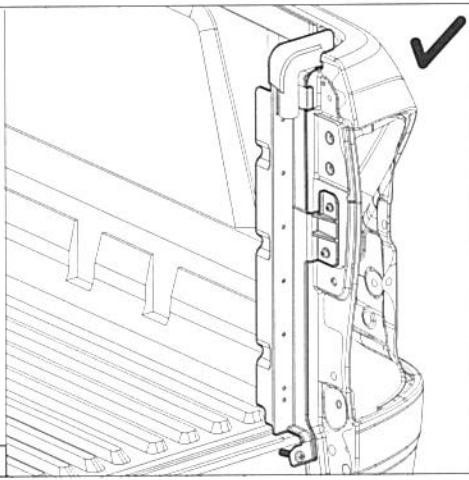
Reversible ratchet

12mm. Socket

**8.1** COVER DUST SEAL USE FOR AEROKLAS CANOPY

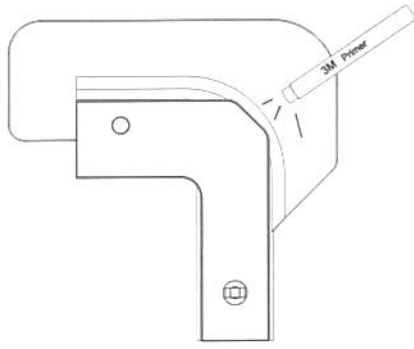
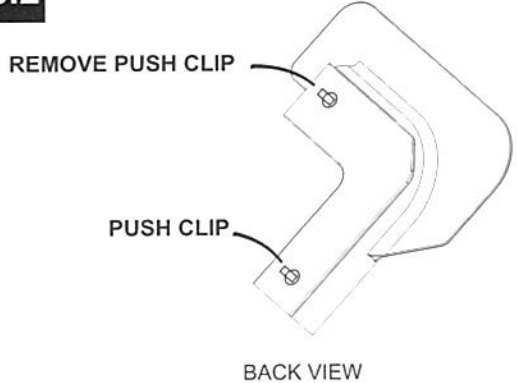


- RHS RUBBER SEAL TOP  
**C** x1
- LHS RUBBER SEAL TOP  
**D** x1



PUSH THE SEAL CLIPS INTO THE MOUNTING HOLES.

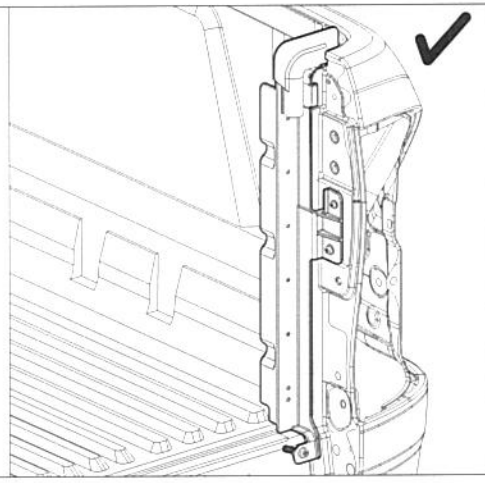
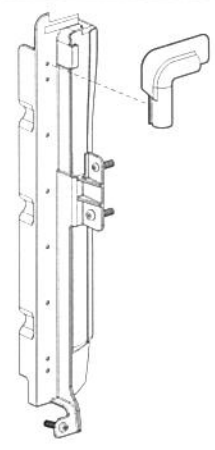
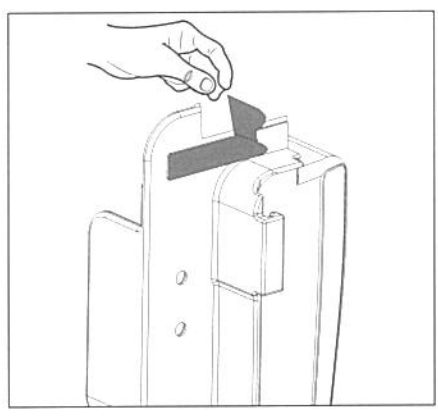
**8.2** COVER DUST SEAL USE FOR AEROKLAS ROLLER LID



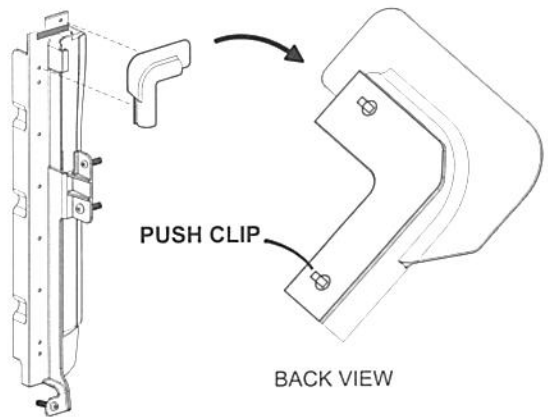
- RHS RUBBER SEAL TOP  
**C** x1
- LHS RUBBER SEAL TOP  
**D** x1
- PRIMER  
**O** x2 (102000000326)

PLEASE CLEAN SURFACE HERE AND APPLY PRIMER

**8.3** COVER DUST SEAL USE FOR AEROKLAS ROLLER LID



**8.4** COVER DUST SEAL USE FOR AEROKLAS ROLLER LID ROCCO



- RHS RUBBER SEAL TOP  
**C** x1
- LHS RUBBER SEAL TOP  
**D** x1

