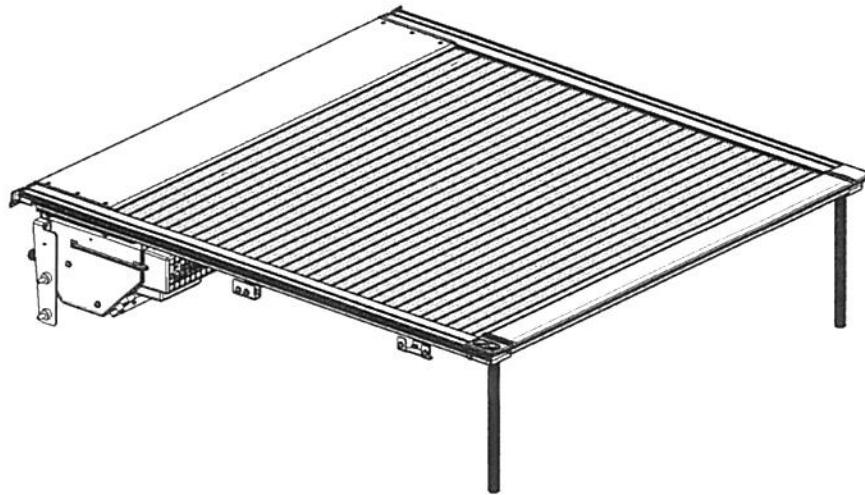
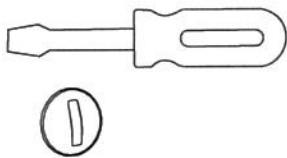


INSTALLATION MANUAL

INSTALLATION MANUAL FOR CHANGE PUSH SWITCH E-ROLLER LID



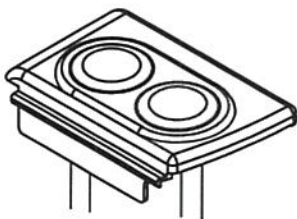
TOOLS LIST



Hot melt adhesive

List of Service Part

(A)



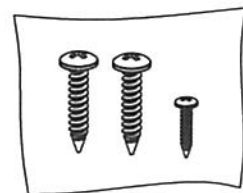
Push switch Set
Q'ty 1 Set.

(B)



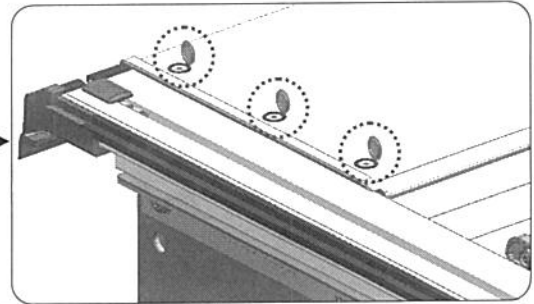
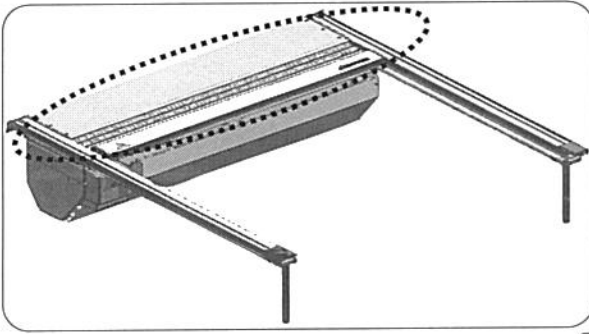
Rubber splicing tape
Q'ty 1 Set.

(C)

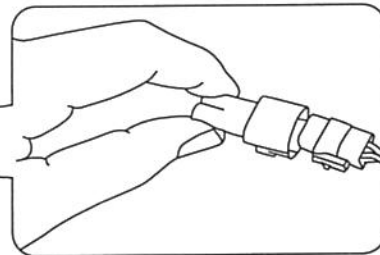
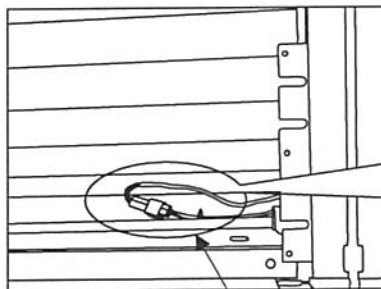
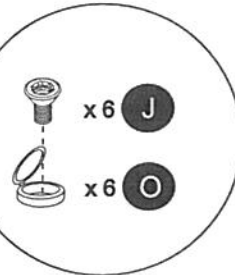
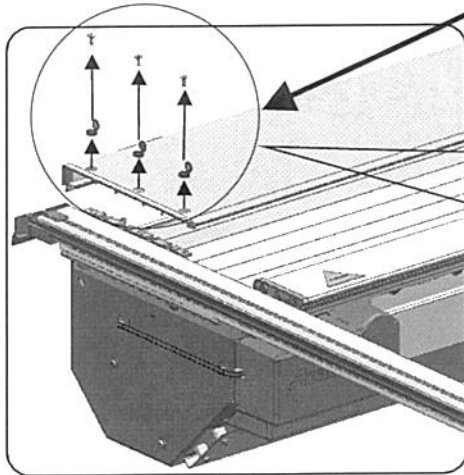


Set screw
Q'ty 1 Set.

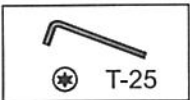
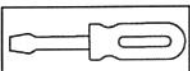
1



Remove the top cover to disconnect from the connector.

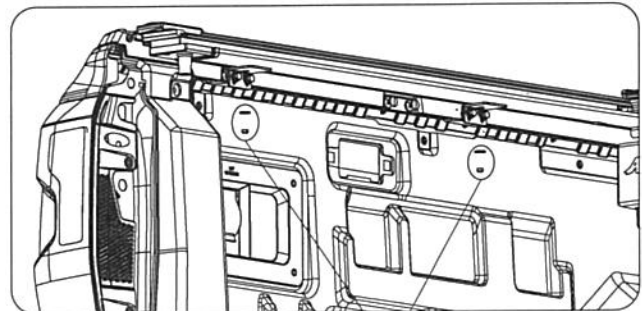
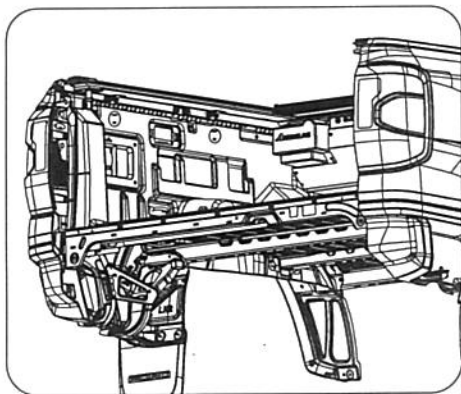


Un connect

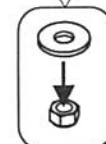


Remove the front connector to retract the wires and disconnect the push switch connector at the back.

2



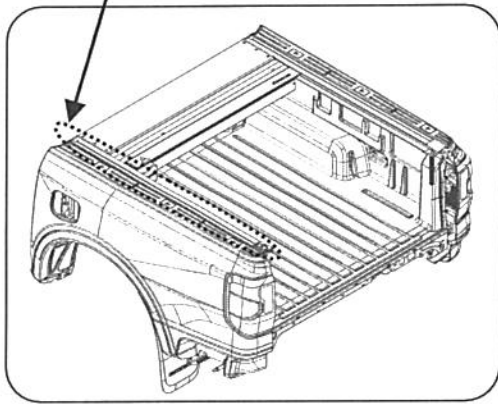
Remove the screw and washer



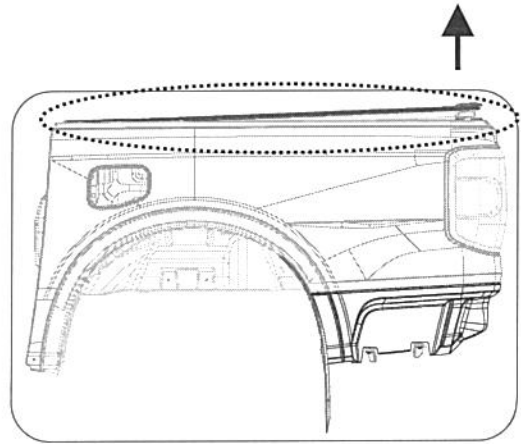
3

Remove the side panel to unscrew it.

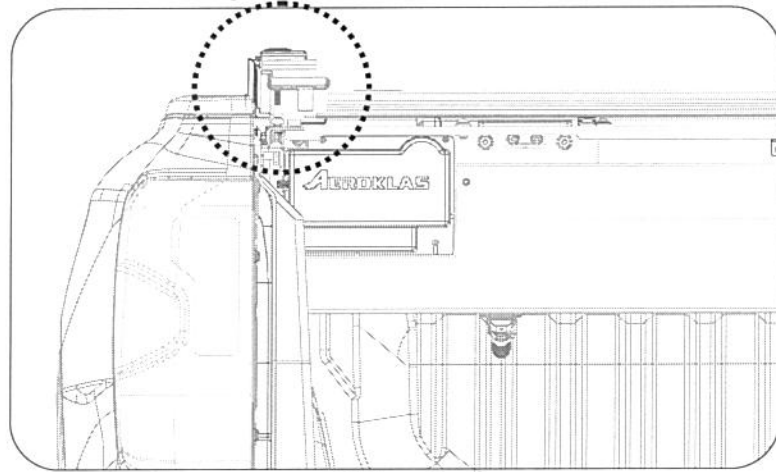
Side panel



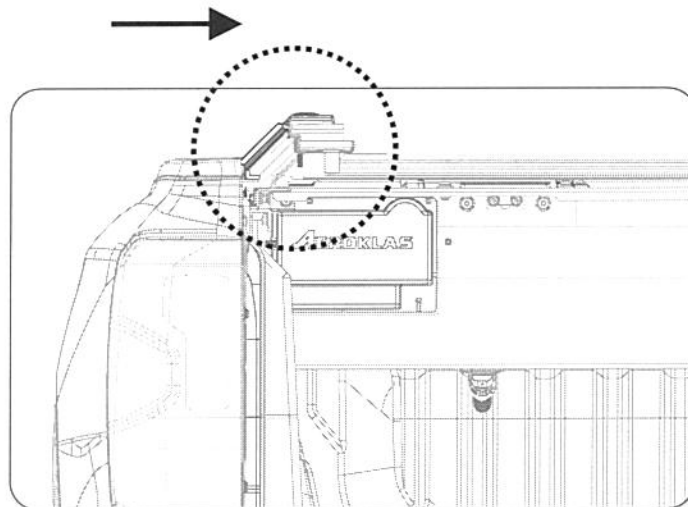
Step 1



Step 2

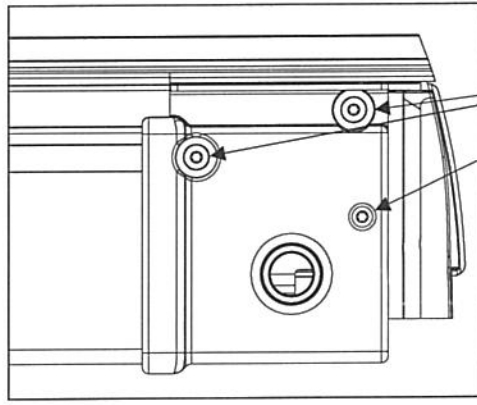


Step 3

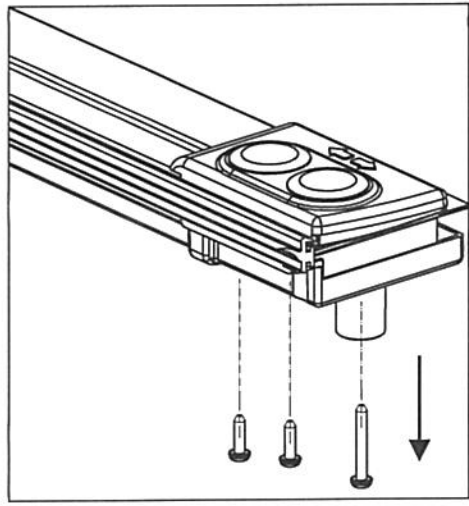


Step 4

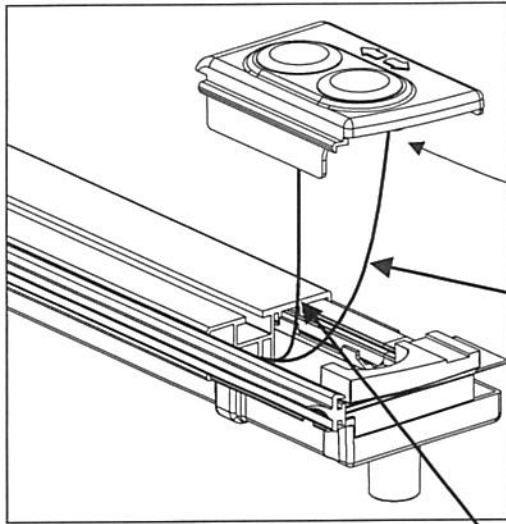
4



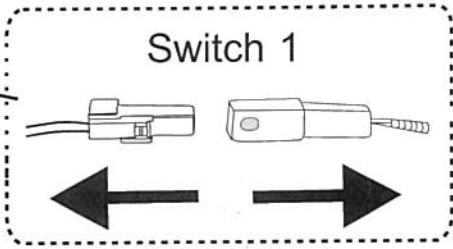
Remove the screw



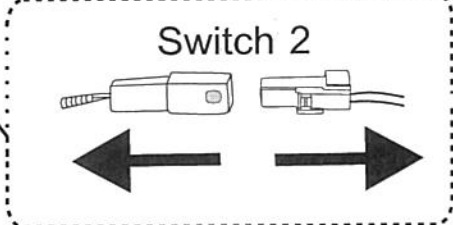
5



Remove the upper plug



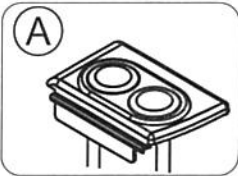
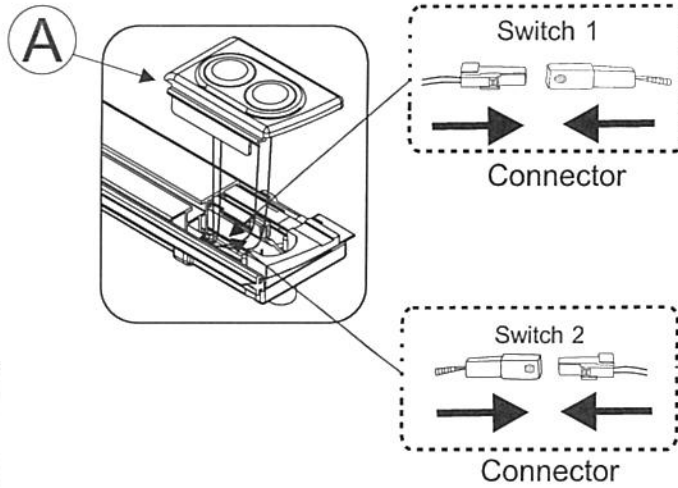
Un connect



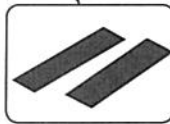
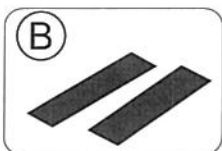
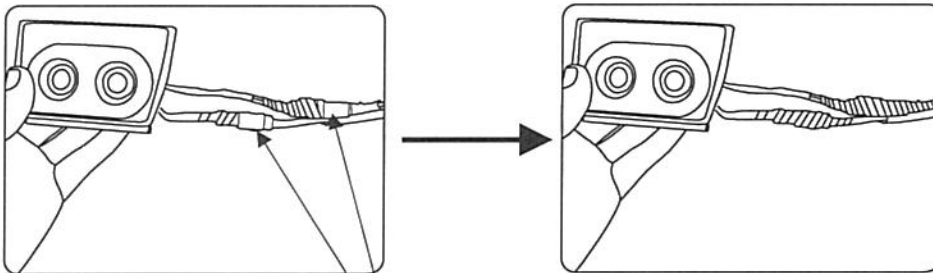
Un connect

Remove upper plug to change the new upper and push switch

6

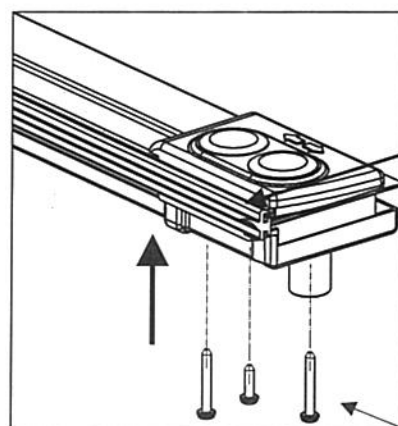


7



“Use rubber splicing tape to wrap around the connector to protect it from water.”

8



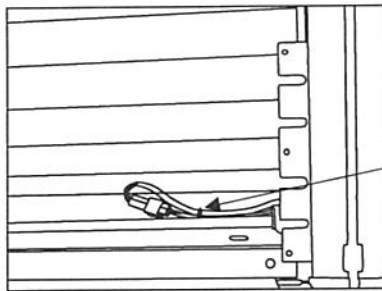
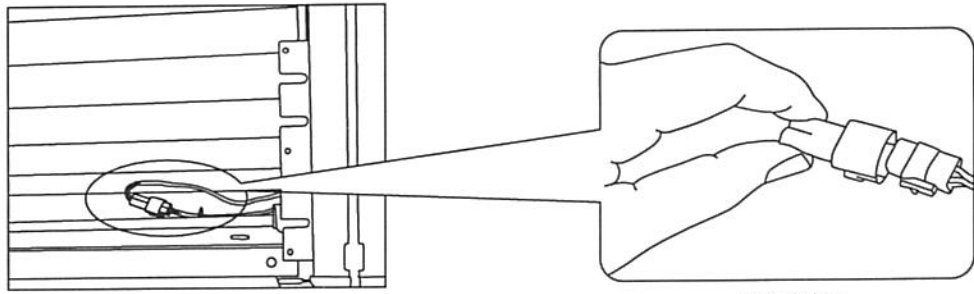
Hot melt adhesive

Apply hot melt adhesive to keep the rear straight and prevent it from losing its shape.

Screw it in.



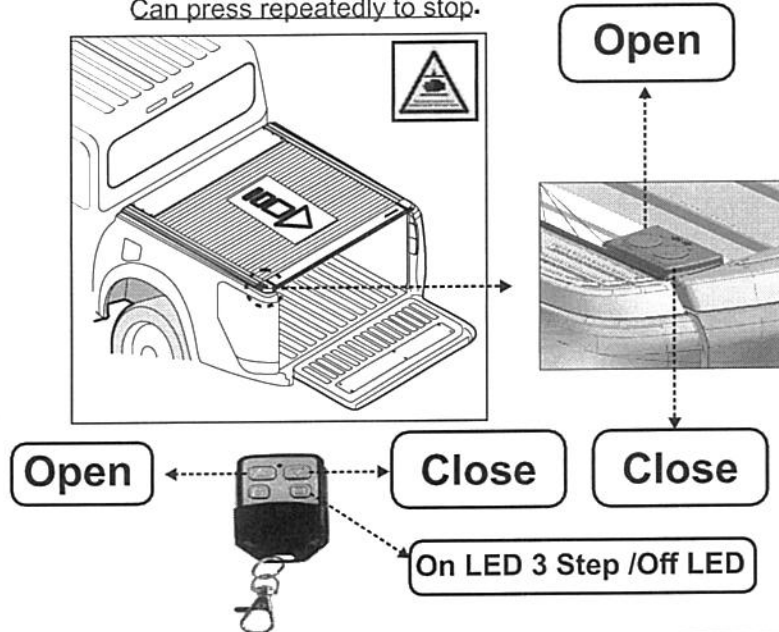
9



Use cable ties to tidy up the wires.

10

Can press repeatedly to stop.



11

